

# tp 594, 608, 609, 610, 621

## STANDARD SAND & WATER TABLE (Includes Stand)



INSTRUCTIONS FOR ASSEMBLY MAINTENANCE AND USE. PLEASE RETAIN FOR FUTURE REFERENCE.

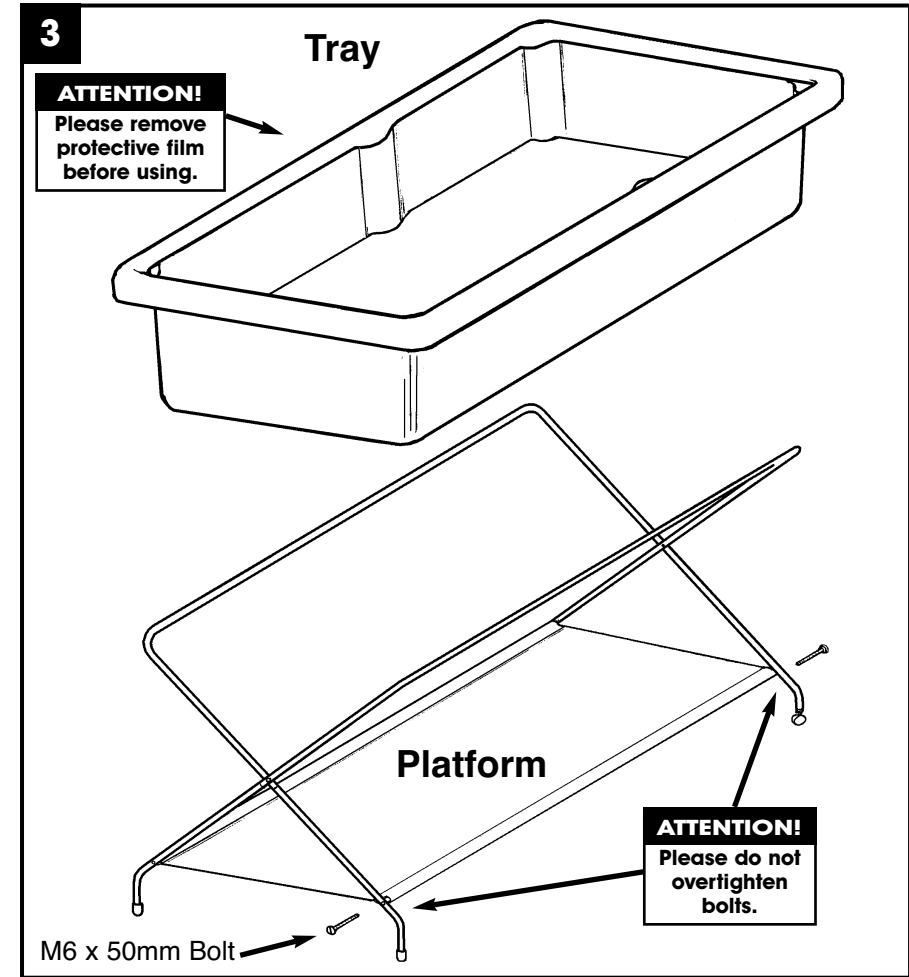
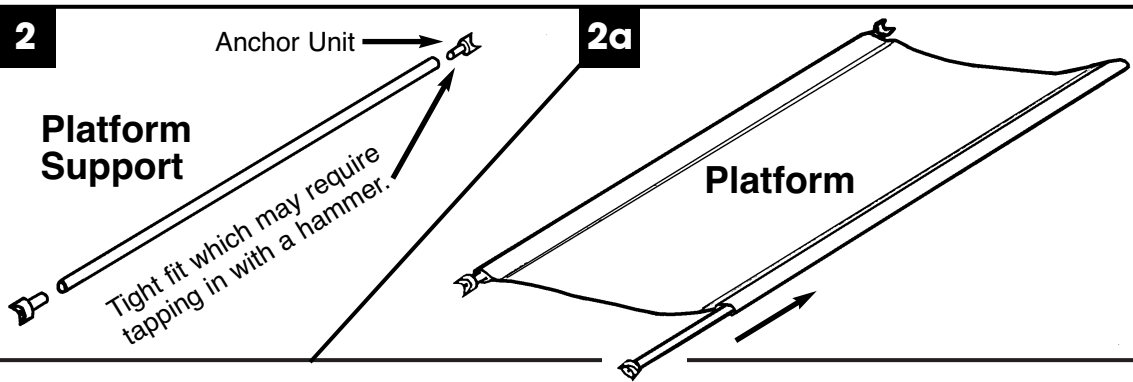
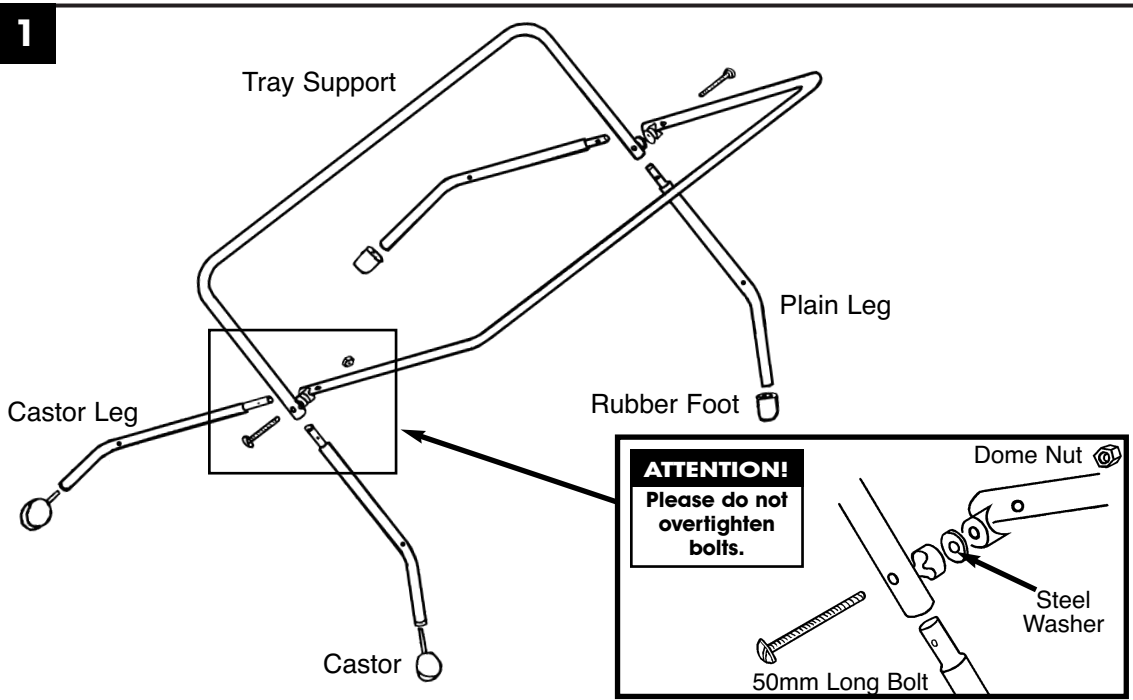
the best activity toys by smiles

### Contents

- 2 - Tray Supports
- 2 - Plain Leg
- 2 - Castor Leg
- 1 - Platform
- 2 - Platform Support

### Sub Pack - Containing

- 2 - Castors
- 4 - Anchor Units
- 4 - Radius Washers
- 2 - Plain Washers
- 6 - 50mm Long Bolts
- 2 - Dome Locknuts



Made in England:  
tp Activity Toys Ltd., Stourport-on-Severn, Worcestershire, England. DY13 9EX

Customer Service: Email: [customerservices@tp toys.com](mailto:customerservices@tp toys.com)  
Spare Parts +44 (0) 1299 872803  
Technical Helpline +44 (0) 1299 872804

[www.tptoys.com](http://www.tptoys.com)



tp Part No: 8088/05/03