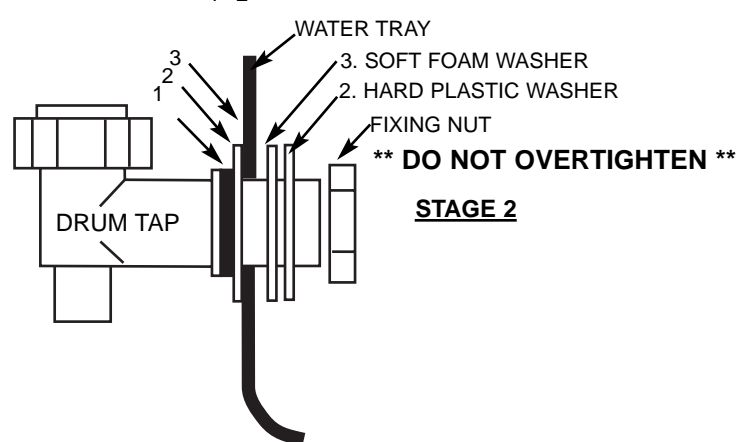
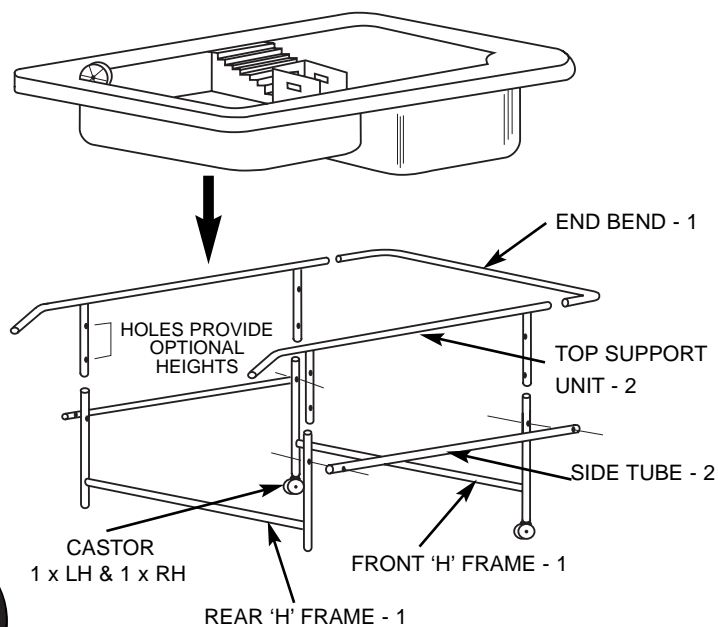


STAGE 1



STAGE 2



INSTRUCTIONS FOR STAND FOR CASCADE WATER TRAY NO. 102

(For use with Cascade Tray #101)

- Check contents against parts list below:-

2 - Top Support Units	1 - Sub Pack Comprising
1 - Front 'H' Frame	4 - M6 x 45mm Bolts
1 - Rear 'H' Frame	4 - M6 Locknuts
2 - Side Tubes	2 - Castors (1LH & 1RH)
1 - End Bend	
- Assemble the tap to the tray as shown. Noting the positions of the different types of sealing washers. Make sure the fixing nut is tightened sufficiently to effect a water tight seal. **Do not over tighten.**
- Assemble the stand as shown. The stand is provided with two sets of fixing holes in the top support unit spigots. When assembling the stand, choose the position you prefer and secure together using the M6 locknuts, in conjunction with the side tubes. **Note:** It is important that the correct hole alignment is used during initial assembly as mis-alignment will cause the stand to be unstable on completion.

Push the end bend into the top support units. The bend should be pushed into the top supports until the dimension matches the tray.

The castors can now be fitted to the stand by pushing them into the special end caps provided.

(Note 1 - Left Hand and 1 - Right Hand castor is supplied).

The castors are designed for use on smooth surfaces and should not be used on rough ground.

- The tray is designed to be slightly bowed and will rock when initially fitted to the stand. When filled with water or sand, this bowing will disappear and the tray will fit snugly onto the stand. **Note:** The tray is made from a non-brittle pliable material. When filled with water it may sag a little.

- Please see your **tp** Product Catalogue for accessories available for this product.

Made in England by:

tp Activity Toys

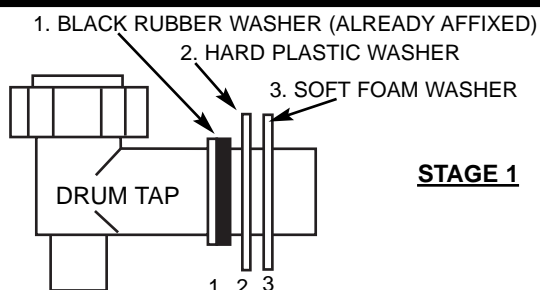
Severn Road
Stourport-on-Severn
Worcestershire
DY13 9EX

Tel: +44 (0) 1299 872 800

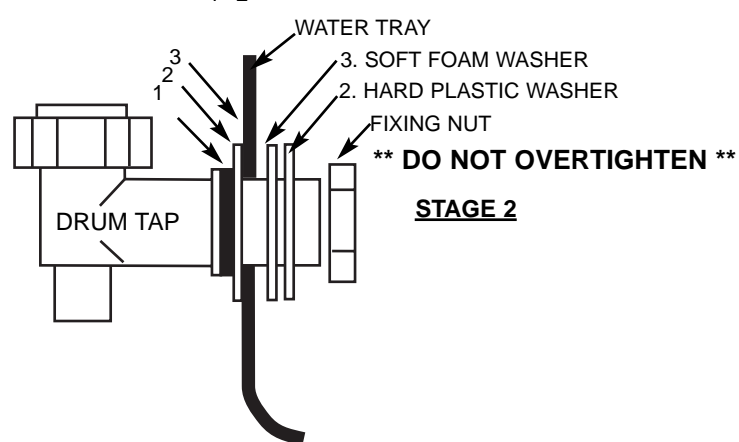
Fax: +44 (0) 1299 827 163

E-mail: enquiries@tp toys.com

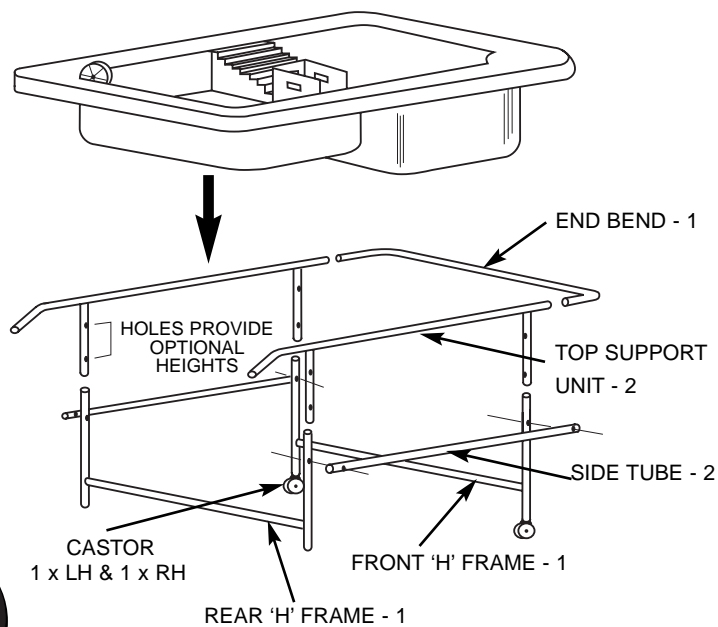
tp



STAGE 1



STAGE 2



INSTRUCTIONS FOR STAND FOR CASCADE WATER TRAY NO. 102

(For use with Cascade Tray #101)

- Check contents against parts list below:-

2 - Top Support Units	1 - Sub Pack Comprising
1 - Front 'H' Frame	4 - M6 x 45mm Bolts
1 - Rear 'H' Frame	4 - M6 Locknuts
2 - Side Tubes	2 - Castors (1LH & 1RH)
1 - End Bend	
- Assemble the tap to the tray as shown. Noting the positions of the different types of sealing washers. Make sure the fixing nut is tightened sufficiently to effect a water tight seal. **Do not over tighten.**
- Assemble the stand as shown. The stand is provided with two sets of fixing holes in the top support unit spigots. When assembling the stand, choose the position you prefer and secure together using the M6 locknuts, in conjunction with the side tubes. **Note:** It is important that the correct hole alignment is used during initial assembly as mis-alignment will cause the stand to be unstable on completion.

Push the end bend into the top support units. The bend should be pushed into the top supports until the dimension matches the tray.

The castors can now be fitted to the stand by pushing them into the special end caps provided.

(Note 1 - Left Hand and 1 - Right Hand castor is supplied).

The castors are designed for use on smooth surfaces and should not be used on rough ground.

- The tray is designed to be slightly bowed and will rock when initially fitted to the stand. When filled with water or sand, this bowing will disappear and the tray will fit snugly onto the stand. **Note:** The tray is made from a non-brittle pliable material. When filled with water it may sag a little.

- Please see your **tp** Product Catalogue for accessories available for this product.

Made in England by:

tp Activity Toys

Severn Road
Stourport-on-Severn
Worcestershire
DY13 9EX

Tel: +44 (0) 1299 872 800

Fax: +44 (0) 1299 827 163

E-mail: enquiries@tp toys.com

tp